

ROE

CREATIVE DISPLAY



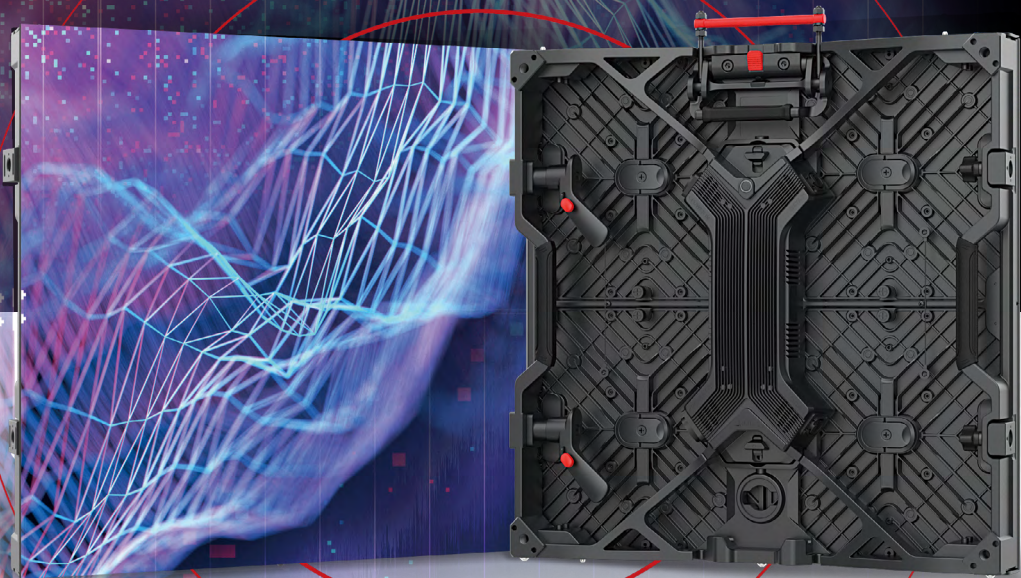
Ruby 2.2, 2.6

Get Ready for the Next Generation

INDOOR LED PANELS

Simply Stunning

Only the best is good enough. Surpassing existing technology, ROE Visual has developed the deep black LED in a 2.2 and 2.6 pixel pitch, exclusively available for Ruby. Less reflection and more contrast due to an optimized black body, the resulting colors are striking.

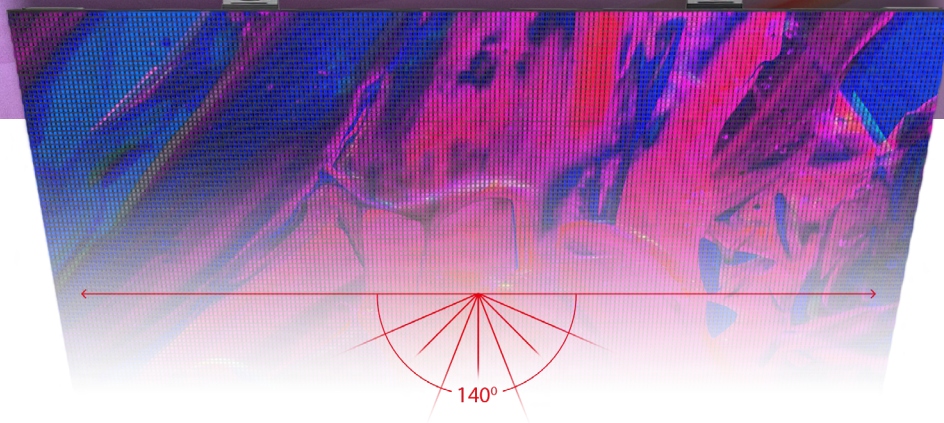


Advanced LED Technology for an Incredible Viewing Experience

How to comprise the latest technology into an advanced LED panel and translate that to an outstanding viewing experience? ROE Visual has done just that. The Ruby LED panels are a new generation of LED panels equipped with features that are beneficial from build to performance.



Your story, Visualised better than ever before

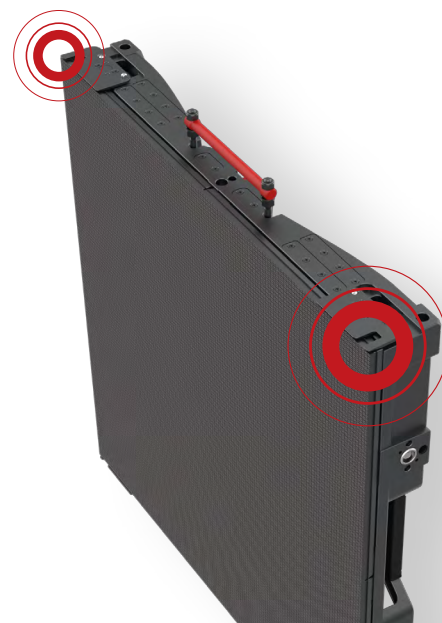


Unprecedented Viewing Angle

The absence of any mask enables an unprecedented wide viewing angle. With its high-brightness LED performance, the Ruby panels give an excellent visual performance for both direct viewing and in-camera visuals.

Automatic Edge Protection

The Ruby LED panels incorporate automatic edge-protection on each panel corner, thereby reducing pixel damage drastically. The magnet-assisted assembly and vertically operated side locks with Z-axis correction make assembly quick, accurate and easy.



Easy Maintenance

With both front and rear module service, the Ruby panels are easy to maintain. The integrated PSU and Hub unit make repair and replacement of spare parts easy and cost-effective.

A Multitude of Shades of Black Coming Alive

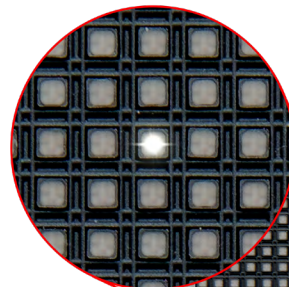
With its improved grayscales Ruby offers precision imagery, showing black in endless scales and fluent gradients.

The New Standard for Stunning Visuals

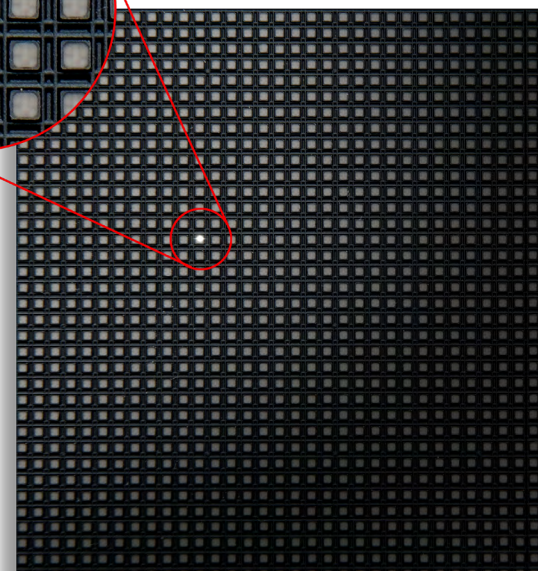


Details that Matter

The well-chosen LEDs are perfect for the Virtual Production solutions, including film shooting and broadcasting. With its high contrast, high brightness and wide viewing angle, the Ruby panels give an excellent visual performance for both direct viewing and in-camera visuals.



SMD 1515 Black





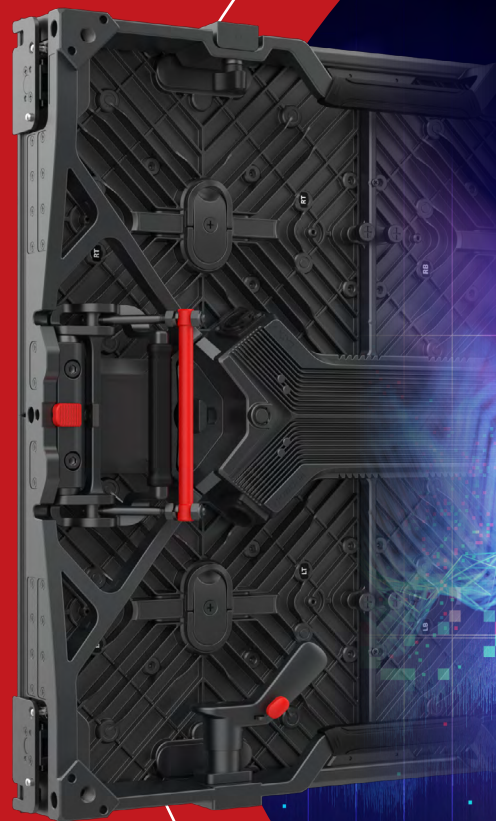
HDR supported
LED technology

HDR

Modular design PSU
and HUB combined
in one unit



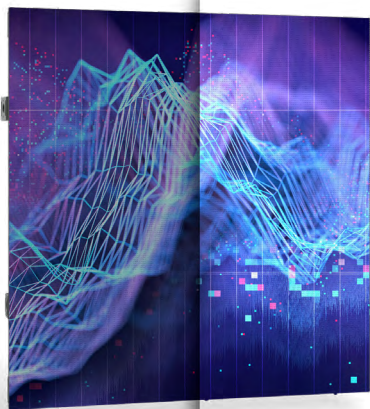
High-brightness,
1500 nits



Front and rear
module service



Automatic edge-
protection



HDR. True Colors

Sporting advanced driver ICs and LEDs with large color space, Ruby is fully HDR adaptive. Adding excellent color depth and great greyscales to your visuals.

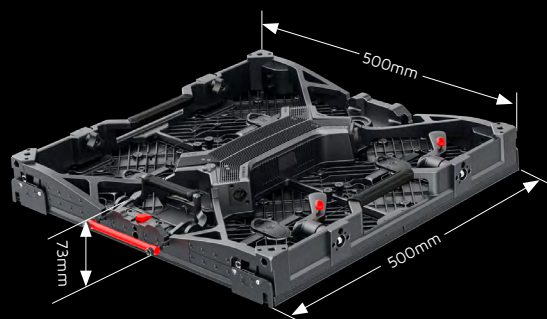
Specifications

Ruby	RB2.2	RB2.6
Pixel Pitch	2.23mm	2.604mm
Max Brightness Calibrated	1500nits	1500nits
Panel Dimension	500mm x 500mm x 73mm 19.7" x 19.7" x 2.87"	500mm x 500mm x 73mm 19.7" x 19.7" x 2.87"
Panel Resolution (H x V)	224 x 224	192 x 192
Panel Weight	8.24kg; 18.17lbs	8.5kg; 18.74lbs
Power Consumption Max / Average	150W(common anode) / 75W	160W(common anode) / 80W
BTU Max / Average	510 / 235	545 / 250
Transparency	Solid	Solid
Serviceability	Front / Rear	Front / Rear
Curving (Concave & Convex) *1	Concave 5°-Convex 5°	Concave 5°-Convex 5°
Max. Hanging (panels) *2	20	20
Max. Stacking (panels) *3	12	12
LED Configuration	SMD 1212 Black	SMD 1515 Black
Viewing Angle Horizontal	140°	140°
Viewing Angle Vertical	140°	140°
Scan Ratio	1/8	1/12
Refresh Rate	7680Hz	7680Hz
Gray Scale	16bit	16bit
Frame Material	Magnesium Alloy	Magnesium Alloy
Processing Platform	Megapixel / Brompton	Megapixel / Brompton
Operational Temp / Humidity	-20°-45°C, 10-90%RH -4°-113°F, 10-90%RH	-20°-45°C, 10-90%RH -4°-113°F, 10-90%RH
Storage Temp / Humidity	-40°-60°C, 10-90%RH -40°-140°F, 10-90%RH	-40°-60°C, 10-90%RH -40°-140°F, 10-90%RH
IP Rating	Indoor	Indoor
Certifications	CE, CB, ETL, FCC, UKCA, WEEE	CE, ETL, FCC, RoHS, WEEE
3D Ready	Yes	Yes

*Notes: The Specifications are for reference, actual values may vary.

1. Convex curving ability only applies to custom tiles.
2. The max. hanging amount is only valid when the ROE Visual hanging bar and complementary accessories are used and in an indoor situation, safety factor is 8. No climbing is allowed.
3. The max. stacking amount is only valid when the ROE Visual stacking system and complementary accessories are used, sufficient ballast is applied and in an indoor situation. No climbing is allowed.

Dimensions



www.roevisual.com

ROE China | ROE US | ROE EU | ROE UK | ROE JP | ROE ME | ROE AUS

roe@roevisual.com